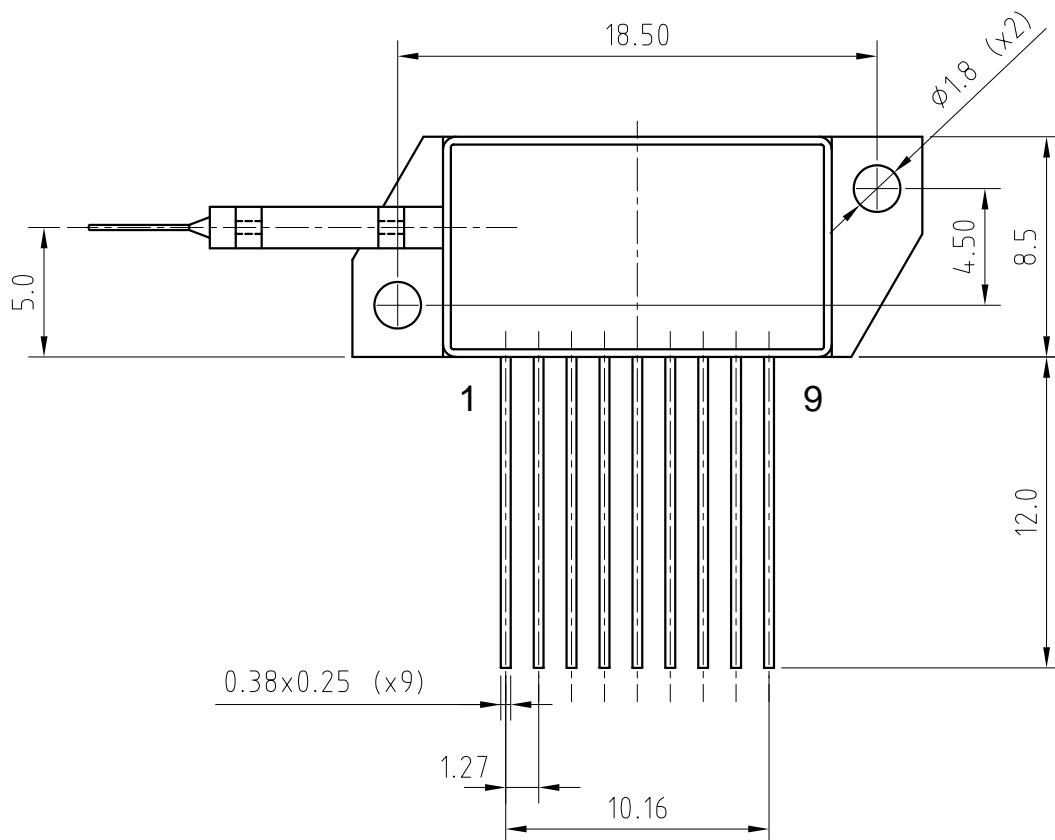
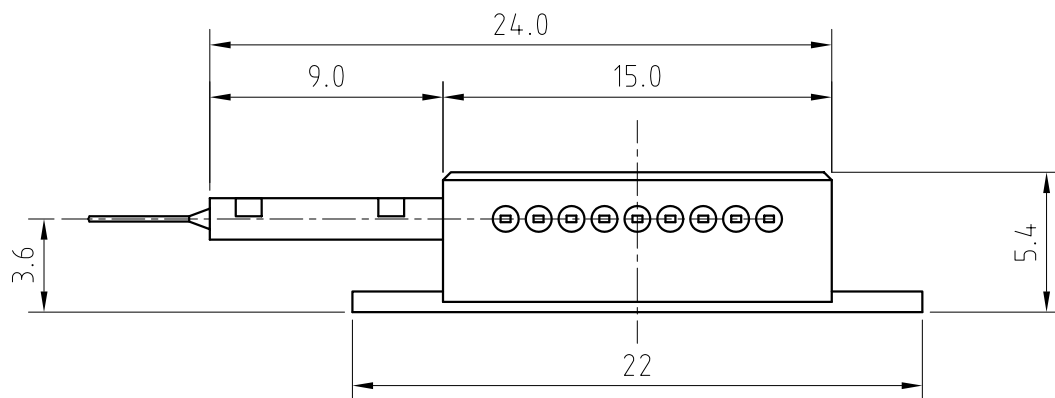


PINNING

1	TEC cathode (-)
2	Case
3	Thermistor
4	Thermistor
5	TEC anode (+)
6	SLD anode (+)
7	SLD cathode (-)
8	PD cathode (+)
9	PD anode (-)



1. All dimensions are in millimeters (mm).
2. Tolerances: .x ± 0.2 mm.
.xx ± 0.10 mm.
3. Package final plating: Au - 1.27 - 3.81 μm.
4. Lid material (without plating): Ni.
5. Fiber length - (650 to 1000) mm.

Itemref	Quantity	Title/Name, designation, material, dimension etc			Article No./Reference	
Designed by	Checked by	Approved by - date	File name	Date	Scale	
---	---	---		11 Sep 2003	5:1	
Superlum Diodes, Ltd.			MCBUT flange package			
				SL.1114.01.000	Edition 01	Sheet 1/1