



Superlum

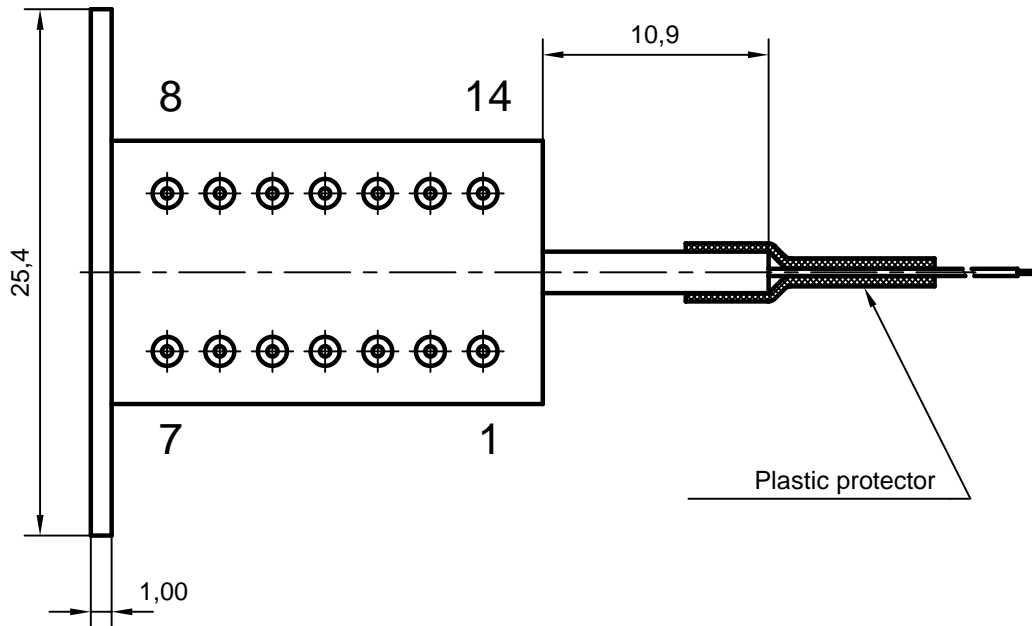
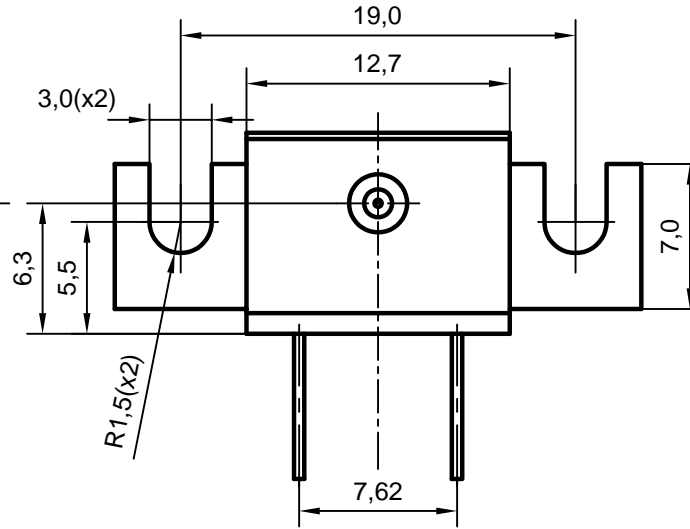
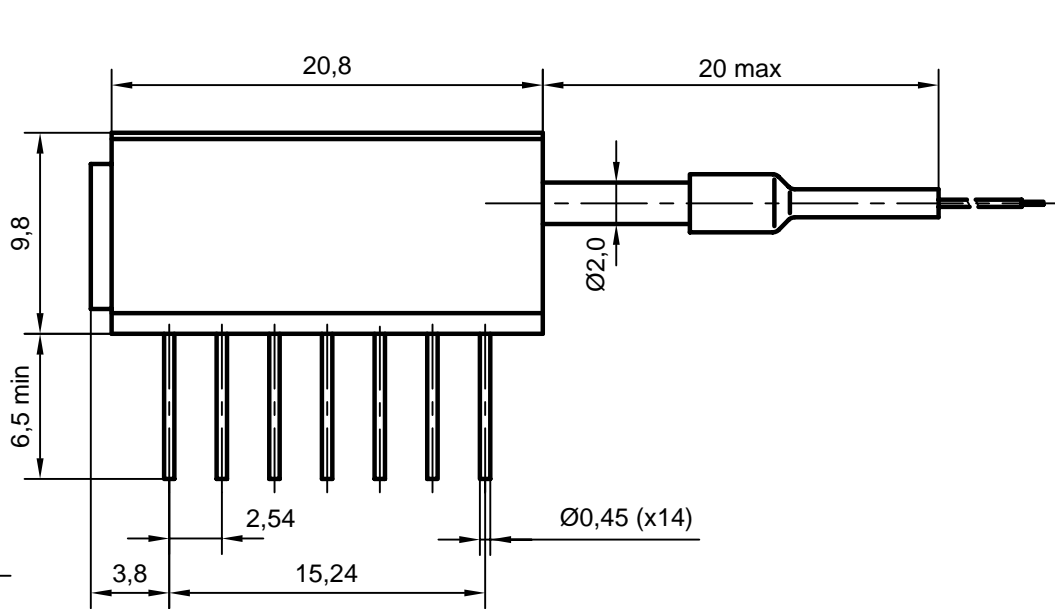
RevNo	Revision note	Date	Signature	Checked
-------	---------------	------	-----------	---------

PINNING

1	Cooler anode (+)
2	N/C
3	N/C
4	N/C
5	SLD anode (+)
6	N/C
7	PD cathode (+)
8	PD anode (-)
9	SLD cathode (-)
10	Case
11	Thermistor
12	Thermistor
13	N/C
14	Cooler cathode (-)

A
B
C
D
E
F

A
B
C
D
E
F



- All dimensions in mm.
- Tolerances: .x ± 0,2 mm.
.xx ± 0,10 mm.
- Package final plating: Au - 1.27 - 3.81 µm.
- Lid material (without plating): Ni.
- Fiber length - 650...1000 mm.

Itemref	Quantity	Title/Name, designation, material, dimension etc		Article No./Reference	
Designed by XXX	Checked by XXX	Approved by - date 00/00/00	File name SL_GCH.dwg	Date 00/00/00	Scale -
Superlum Diodes, Ltd.			DIL package		
			SL.1121.01.000	Edition 0	Sheet 1/1

1 2 3 4 5 6 7 8