



Superlum

RevNo	Revision note	Date	Signature	Checked
-------	---------------	------	-----------	---------

PINNING#1

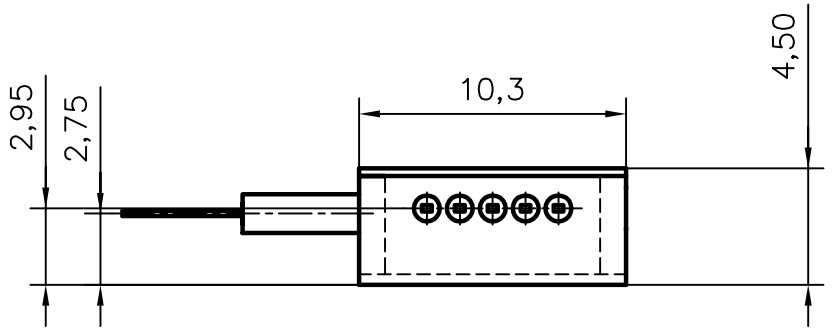
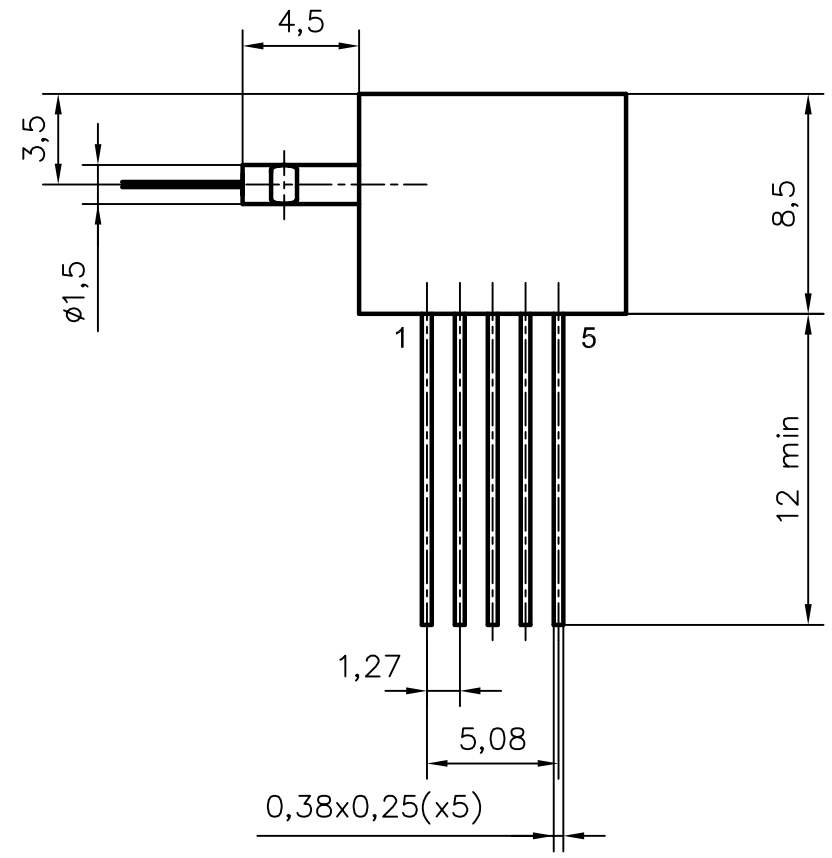
1	Thermistor
2	Thermistor
3	SLD anode (+)
4	SLD cathode (-)
5	Case

PINNING#2

1	Thermistor
2	Thermistor
3	SLD anode (+)
4	SLD cathode (-)
5	Case
5	N/C

PINNING#3

1	Thermistor
2	Thermistor
3	SLD anode (+)
4	SLD cathode (-)
4	PD anode (-)
4	Case
5	PD cathode (+)



1. All dimensions in mm.
2. Tolerances: .x ± 0,2 mm.
.xx ± 0,10 mm.
3. Package final plating: Au - 1.27 - 3.81 μm.
4. Lid material (without plating): Ni.
5. Fiber length - 650...1000 mm.

Itemref	Quantity	Title/Name, designation, material, dimension etc		Article No./Reference	
Designed by XXX	Checked by XXX	Approved by - date 10/12/03	File name SL_GCH.dwg	Date 00/00/00	Scale -
Superlum Diodes, Ltd.			MiniBut5		
			SL.1113.05.000	Edition 0	Sheet 1/1