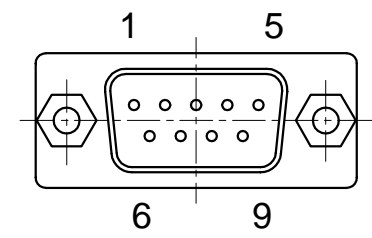
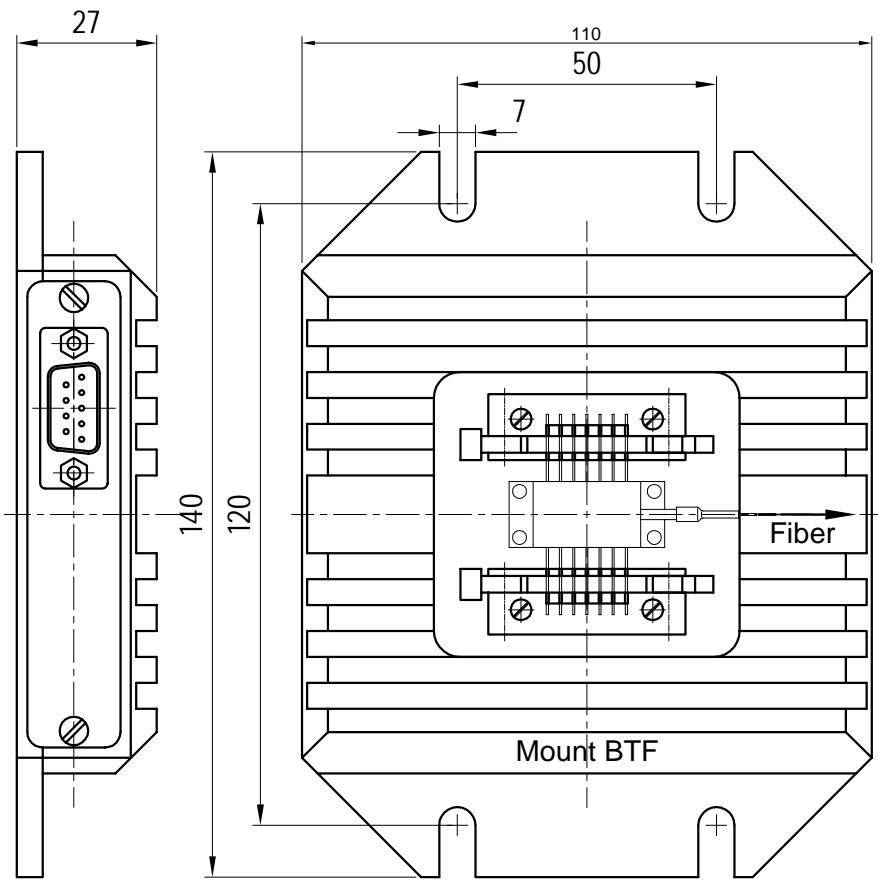


PINNING

1	Case	
2	Thermistor	
3	Thermistor	
4	TEC anode	(+)
5	TEC cathode	(-)
6	SLD cathode	(-)
7	SLD anode	(+)
8	PD anode	(-)
9	PD cathode	(+)



1. Dimensions are for information only.
2. All dimensions are in millimeters (mm).

Itemref	Quantity	Title/Name, designation, material, dimension etc			Article No./Reference	
Designed by	Checked by	Approved by - date	File name DIL mount	Date	Scale 1 : 1	
Superlum Diodes, Ltd.			Mount BUT			
			SL.1112.17.000	Edition 0	Sheet 1/1	