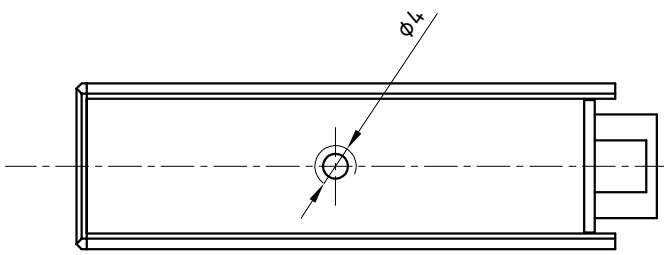
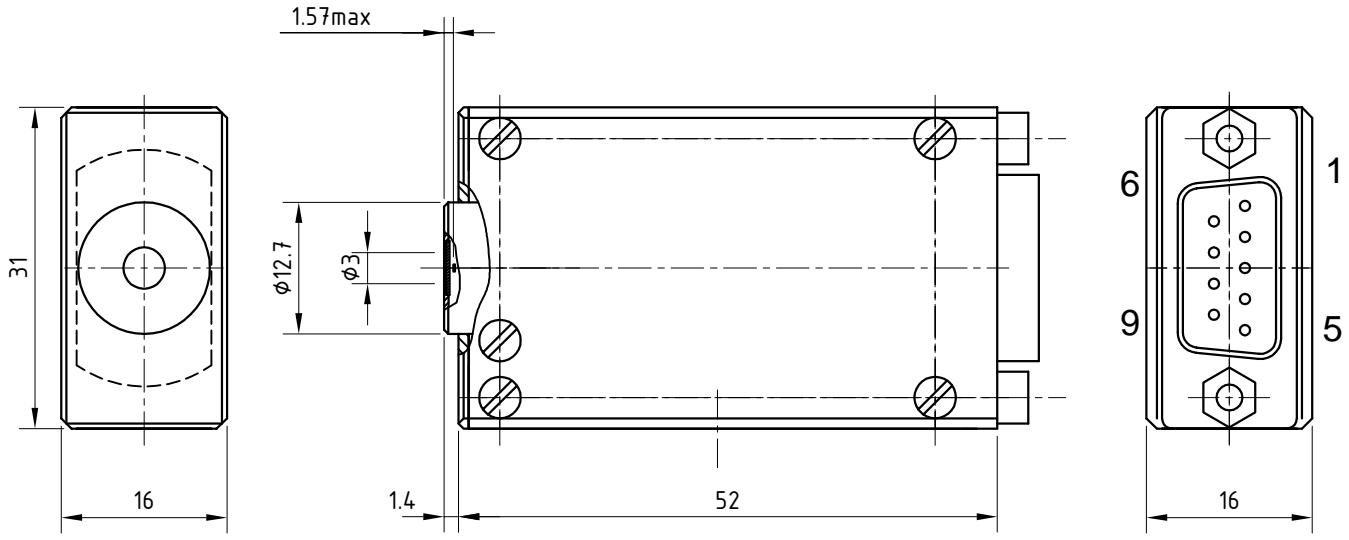


PINNING

1	Case	
2	Thermistor	
3	Thermistor	
4	TEC anode	(+)
5	TEC cathode	(-)
6	SLD cathode	(-)
7	SLD anode	(+)
8	PD anode	(-)
9	PD cathode	(+)



1. Dimensions are for information only.
 2. All dimensions are in millimeters (mm).

Itemref	Quantity	Title/Name, designation, material, dimension etc			Article No./Reference	
Designed by	Checked by	Approved by - date	File name	Date	Scale	
---	---	---		1 oct 1998	2:1	
Superlum Diodes, Ltd.				Mount TOW		
				SL2211.17.000	Edition	Sheet
				0	1/1	